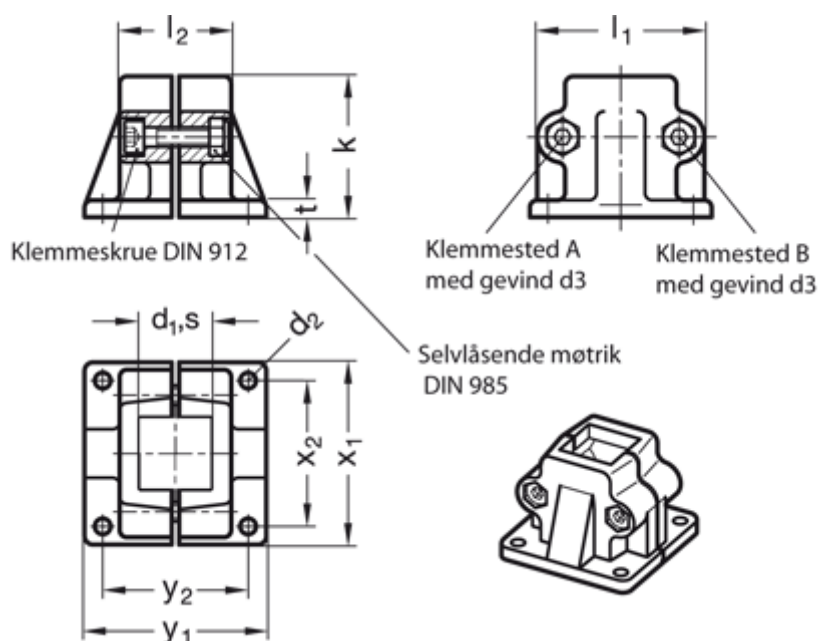


Article number: 20165V252BL

Description: E+G

Base plate clamp GN165-V25-2-BL

## Measures



Adjustable clamp lever = GN 911-M10-63 have to be ordered separately

d2	= 11
d3	= M10
k	= 91
l1	= 98
l2	= 70
S	= V40
t	= 14

x1 = 115

x2 = 90

y1 = 119

y2 = 90